

VT100 BODY-WORN CAMERA

The VT100 delivers a customizable and fully integrated enterprise mobile video solution.



GENERAL INFORMATION

Typical Usage	Enterprise managed incident recorder for personal and site security
Management Software	Requires VideoManager License or Cloud Service
Warranty	1 year return-to-manufacturer warranty. For support relating to VideoManager, Software Assurance is required.

SIZE AND WEIGHT

Dimensions	3.1 x 2.0 x 0.9 in (80 x 51 x 22 mm)
Weight	2.54 oz (72 g)

BATTERY

Battery	Integral, not user serviceable
Battery Type	Lithium-ion
Battery Recharging Times	Typically recharges in less than 5 hours
Battery in Recording Mode	Up to 3 hours of recording, or up to 1.5 hours of live streaming & recording
Battery capacity in standby	6 months
Battery Overcharge Protection	VT100 has overcharge protection so cannot be overcharged and can be left in docking station

AUDIO

Audio Capture	Yes, with option to disable audio capture alongside footage
---------------	---

CAMERA

Buttons	Two buttons on back, either of which can be used to start and stop recording
Lens Capture Angle	130 degree field of view

CAMERA FEATURES

Memory Capacity	16 GB
Recording Status User Notification	Haptic and visual feedback
Storage Media Access	Sealed unit with no user access to storage media
Front Display Message	Display ID card with message/logo

VIDEO AND RECORDING

Video Recording Format	H.264
Resolution	1280 x 720 HD
Frame Rate	30 frames per second
Recording Storage Capacity	16 GB

APPROVALS AND ENVIRONMENTAL

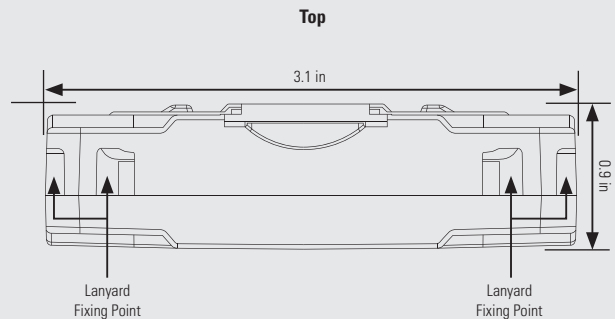
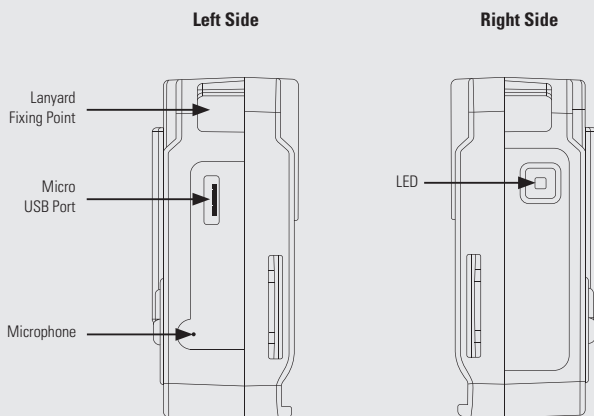
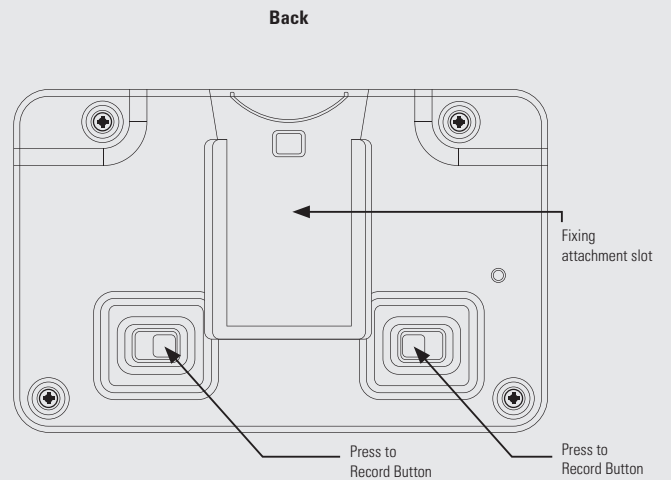
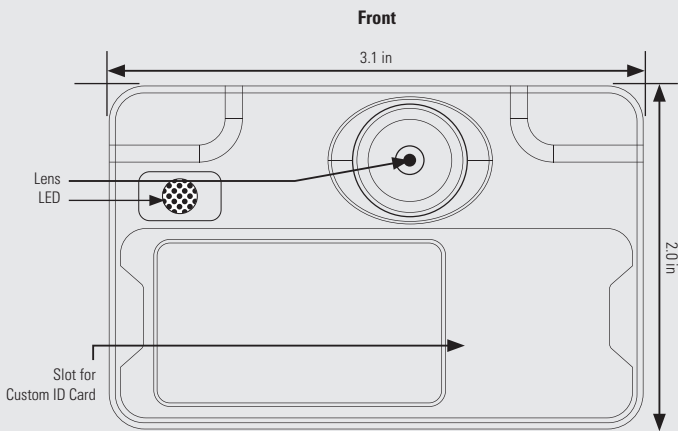
Ingress Protection	IP54
Environmental Temperature Operational Rating	Operating: -4 to +104 °F (-20 to +40 °C) Charging: +32 to +77 °F (0 to +25 °C)

WI-FI® FEATURES

Wi-Fi Specifications	802.11 b/g/n (2.4GHz Wi-Fi)
Wi-Fi Security	WPA2-PSK
Wi-Fi Streaming	<ul style="list-style-type: none"> • 640x360 15fps • Compatible with ONStream

SECURITY

Network Data Security on USB Storage Media	VT100 does not appear as a USB storage device, and cannot receive files while connected to a Wi-Fi network.
Audit Trail	Usage, operations and recording details all audit-logged and indexed
Recordings View, Copy and Deletion Ability	The VT100 wearer cannot access, view or delete any recordings directly from the device, or camera without appropriate authorization.
Storage Media Access	Sealed unit with no user access to storage media
Encryption	AES-256 for data at rest; TLS1.2 for data transmission



VT-100-N & ACCESSORIES

VT100 (VT-100-N)



FEATURES INCLUDE:

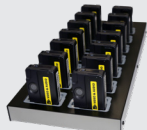
Wi-Fi streaming, small and discreet, 16GB storage, 6 months standby (Instant Recording Mode), up to 3 hours of recording, or up to 1.5 hours of live streaming & recording, 1 year return-to-manufacturer warranty.

PLEASE NOTE: Requires VideoManager Enterprise License or VideoManager Cloud Service. Please speak to your account manager for further details.

PART NUMBER: VT-100-N



VT-100-SOLO



VT-100-DOCK14/UK etc.



DC-200/UK etc.



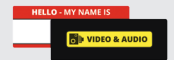
RF-220



RF-STICKER-10
RF-CARD-10



VT-100-ID-CUS-ART



VT-100-ID-CUS-250 etc.

CHARGERS, DOCKCONTROLLERS, RFIDS & CUSTOM DISPLAY FRONT-PANEL ID CARD

VT-100-SOLO
VT-100-SOLO-050

VT100 1-Port Dock
(2.0m USB Cable Included)
VT100 1-Port Dock
(0.5m USB Cable Included)

RF-STICKER-10

RFID Sticker-Style Tag (x10)

VT-100-DOCK14/US, VT-100-DOCK14/ROW,
VT-100-DOCK14/UK VT-100-DOCK14/EU,
VT-100-DOCK14/AUS

VT100 14-Port Dock

RF-CARD-10

RFID Card (x10)

DC-200/US, DC-200/ROW, DC-200/UK,
DC-200/EU, DC-200/AUS

DockController DC-200

VT-100-ID-CUS-ART

Custom VT100 Front-panel
ID Card (Design)

RF-220

RFID RF-220

VT-100-ID-CUS-250, VT-100-ID-CUS-1000,
VT-400-ID-CUS-5000

Custom VT100 Front-panel ID
Card (Print). Can be ordered in the
following quantities: 250, 1000, 5000



VT-100-FIX-ALIG



VT-100-FIX-EP



VT-100-FIX-SPORT



VT-100-FIX-KF-ALT



AC-USB-MICROB-100



AC-USB-DOCK-200
AC-USB-DOCK-050



AC-LANYARD-05

ATTACHMENTS, LANYARDS & REPLACEMENT CABLES

VT-100-FIX-ALIG

VT100 Rotatable Long Alligator Clip

AC-USB-MICROB-100

Replacement Micro USB Cable

VT-100-FIX-EP

VT100 Epaulette (Shoulder) Clip

AC-USB-DOCK-200,
AC-USB-DOCK-050

Replacement USB Type A to USB Type B Cable (0.5m, 2.0m)

VT-100-FIX-SPORT

VT100 Sports Camera Pillar

AC-LANYARD-05

Lanyard with 5 Breakpoints and 2 Loops

VT-100-FIX-KF-ALT

VT100 Klick Fast Stud



CLICK FAST FIXINGS*

KF-SCREW	Klick Fast Uniform Screw-on Dock	KF-DOCKBUTTONM	Klick Fast Button Dock (Male)
KF-LOOP	Klick Fast Radio Loop Dock	KF-DOCKBUTTONF	Klick Fast Button Dock (Female)
KF-DOCKCLAMP	Klick Fast Dock Clamp (Pocket Klick Fast Dock)	KF-DOCK05BVELCRO	Klick Fast Belt Loop
KF-DOCKEP	Klick Fast Dock Epaulette	KF-DOCKRUCKSACK	Klick Fast Rucksack Dock
KF-MAGMOUNT2	Klick Fast Magnetic Mounting Set (w/ Magnets)	KF-DOCKCROCClip	Klick Fast Crocodile Clip
KF-MAGMOUNT	Klick Fast Magnetic Mounting Set (w/o Magnets)	KF-DOCKCROCCLAT	Klick Fast Crocodile Clip (w/ Anti-Tilt Attachment)
KF-MOLLEVEST	Klick Fast Dock for MOLLE Vests		



CLICK FAST HARNESES**

KF-HARN3	Klick Fast 3-Point Chest Harness
KF-HARN4	Klick Fast 4-Point Chest Harness
KF-HARN5	Klick Fast Shoulder Harness

For more information, please visit: www.motorolasolutions.com/BWC



* Klick Fast Fixings are compatible with the VT-100-N when used in conjunction with the VT-100-FIX-KF-ALT attachment.

** Klick Fast Harnesses are compatible with the VT-100-N when used in conjunction with the VT-100-FIX-KF-ALT attachment.

Motorola Solutions Inc., 500 W Monroe St, Chicago, IL 60661. U.S.A

Availability is subject to individual country law and regulations. All specifications shown are typical unless otherwise stated and are subject to change without notice. MOTOROLA, MOTO, MOTOROLA SOLUTIONS and the Stylized M Logo are trademarks or registered trademarks of Motorola Trademark Holdings, LLC and are used under license. All other trademarks are the property of their respective owners. © 2022 Motorola Solutions, Inc. All rights reserved. 02-2022 [LD15]